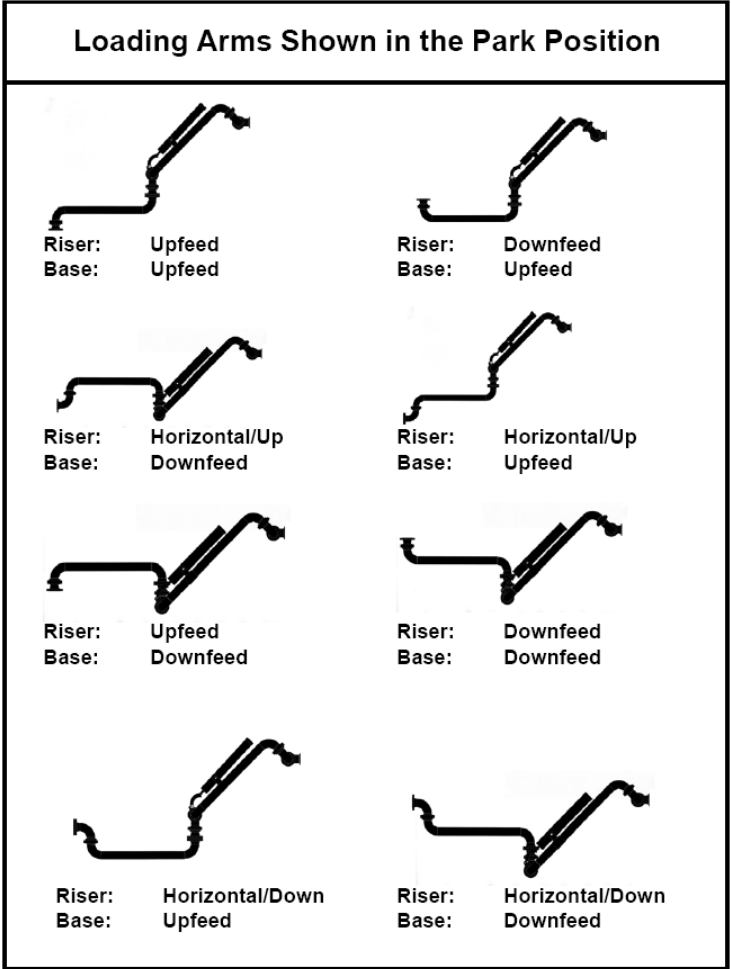


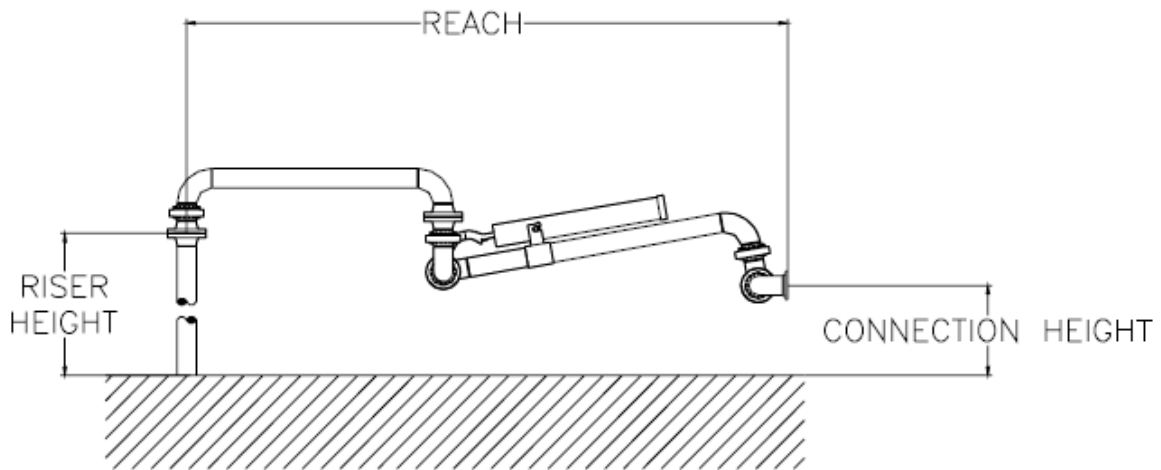
on D2000 World Series swivel joints.

- Bottom Transfer Loaders provide extended reach that makes them ideal for applications where a vehicle cannot be accurately spotted.
- Easy to adjust, super smooth action spring cylinder balance, and heavy duty capacity swivel joints enable these arms to reach further without the need for additional support.
- Standard arms feature the D2000 World Series swivel joint. A heavy duty, low profile joint with a 5-year maintenance free limited warranty. A variety of seal configurations and elastomers ensure long life performance for each specific application.
- Spring cylinder balance has up to 95deg of vertical movement for easy to handle alignment and out of the way parking.
- Not recommended for multiple arm crossover. See E2573 and E2304.
- Pipe sizes: 2" through 12"
- Materials of liquid path: Carbon steel, carbon steel/aluminum, 316L stainless steel.

Also available in a variety of exotic materials to best handle the widest range of products, from Acids to fruit juice. Contact Emco Wheaton with your specific needs.

RISER CONNECTION OPTIONS





Line Size:	
<input type="checkbox"/> 2" <input type="checkbox"/> 3" <input type="checkbox"/> 4" <input type="checkbox"/> 6" Other Please Specify	
Riser Connection:	
<input type="checkbox"/> Upfeed <input type="checkbox"/> Downfeed <input type="checkbox"/> Horizontal (Up or Down)	
Base Swivel:	
<input type="checkbox"/> Right Hand/Upfeed <input type="checkbox"/> Right Hand/Downfeed <input type="checkbox"/> Left Hand/Upfeed <input type="checkbox"/> Left Hand/ Downfeed	
Preferred Swivel Joint:	
<input type="checkbox"/> D2000 Other Please Specify:	
Arm Material (Wetted Parts):	
<input type="checkbox"/> Carbon Steel <input type="checkbox"/> Stainless Steel <input type="checkbox"/> Carbon Steel/Aluminum <input type="checkbox"/> Stainless/Aluminum	
Swivel Joint Seal Material:	
<input type="checkbox"/> Buna <input type="checkbox"/> Viton <input type="checkbox"/> PTFE Other Please Specify:	
Balance Mechanism:	
<input type="checkbox"/> Spring Cylinder <input type="checkbox"/> Torsion Spring <input type="checkbox"/> Counterweights <input type="checkbox"/> Hydraulic Cylinder	

Dimensions:					
Reach	<input type="text"/>	Riser	<input type="text"/>	Connection	<input type="text"/>
Customer Added Weight: (Specify type and weight) _____ _____					
Accessories/Options:					
Loading Valve @ <input type="checkbox"/> Base OR <input type="checkbox"/> Middle OR <input type="checkbox"/> Apex					
Ball Valve @ <input type="checkbox"/> Base OR <input type="checkbox"/> Middle OR <input type="checkbox"/> Apex					
<input type="checkbox"/> Remote Control		<input type="checkbox"/> Lockdown			
<input type="checkbox"/> Steam Jacketing		<input type="checkbox"/> Vapor Recovery			
<input type="checkbox"/> Drip Bucket		<input type="checkbox"/> Vertical & Horizontal Assist			
<input type="checkbox"/> Posi-Stops		<input type="checkbox"/> Parallel Device			
<input type="checkbox"/> Outboard Swivel strut support					
<input type="checkbox"/> Grab Handles					
Application Information:					
End User: _____					
Product in Arm: _____					
Temperature (min/max): _____					
Flowrate (GPM): _____					
Qty of Arms: _____					
Your Name: _____					
Company: _____					
Phone Number: _____					
Fax Number: _____					

EMCO WHEATON
A Gardner Denver Company

Whilst the content of this leaflet has been edited with the greatest care, we are not liable for any errors or omissions

EMCO WHEATON
USA Inc

9111 Jackrabbit Road
Houston Texas
USA
77095
PO BOX 691247
Phone: +1-281/856-1300
Fax: +1-281/856-1325
sales@us.emcowheaton.com
www.emcowheaton.com