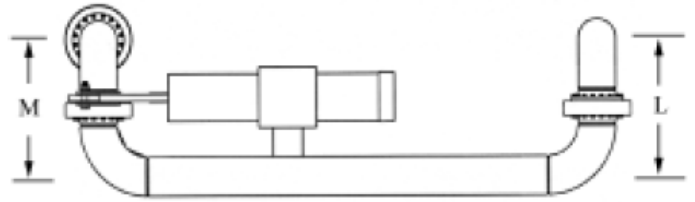
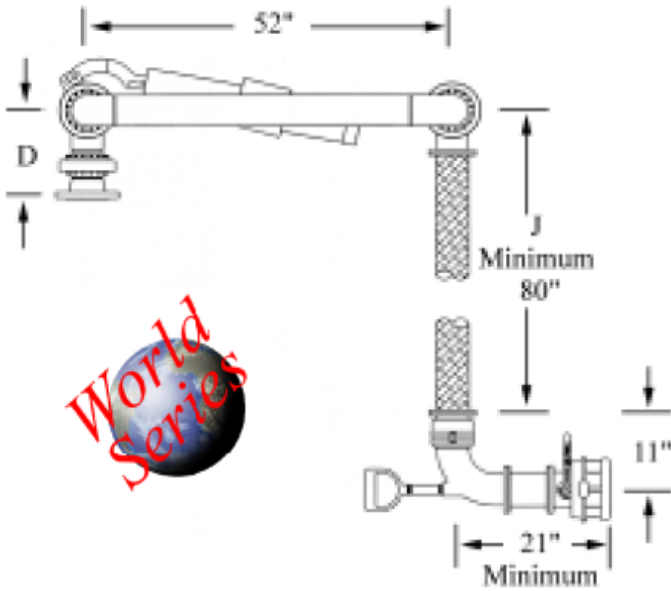


- Recommended for converting top loading to bottom loading when an existing top loading rack is not going to be fully dismantled.
- Standard vertical range of motion for the loading arm is +/- 30°.
- Secondary arm is available as a rigid pipe or hose.
- Standard arms feature the D2000 “World” series swivel joints for ultra low maintenance & the easy to adjust spring cylinder balance.
- Available in a full range of sizes and materials.
- Conforms to API bottom loading envelope with three units on 24” centers.



	"D"	"M"	"L"
2"	9.99"	10.11"	10.11"
3"	11.86"	13.11"	13.11"
4"	14.11"	16.11"	16.11"
6"	--	--	--

Line Size: <input type="checkbox"/> 2" <input type="checkbox"/> 3" <input type="checkbox"/> 4" <input type="checkbox"/> 6" Other Please Specify _____	
Riser Connection: <input type="checkbox"/> Upfeed <input type="checkbox"/> Downfeed <input type="checkbox"/> Horizontal (Up or Down)	
Base Swivel: <input type="checkbox"/> Right Hand <input type="checkbox"/> Left Hand	
Preferred Swivel Joint: <input type="checkbox"/> D2000 Other Please Specify: _____	
Arm Material (Wetted Parts): <input type="checkbox"/> Carbon Steel <input type="checkbox"/> Stainless Steel <input type="checkbox"/> Carbon Steel/Aluminum <input type="checkbox"/> Stainless/Aluminum	
Swivel Joint Seal Material: <input type="checkbox"/> Buna <input type="checkbox"/> Viton <input type="checkbox"/> PTFE Other Please Specify: _____	
Balance Mechanism: <input type="checkbox"/> Spring Cylinder <input type="checkbox"/> Torsion Spring <input type="checkbox"/> Counterweights <input type="checkbox"/> Hydraulic Cylinder	

Dimensions: J <input type="text"/>
Customer Added Weight: (Specify type and weight) _____ _____ _____
Accessories/Options: <input type="checkbox"/> J0451 Coupler <input type="checkbox"/> K2 Coupler <input type="checkbox"/> K2P Coupler <input type="checkbox"/> Position Indicators
Application Information: End User: _____ Product in Arm: _____ Temperature (min/max): _____ Flowrate (GPM): _____ Qty of Arms: _____ Your Name: _____ Company: _____ Phone Number: _____ Fax Number: _____

EMCO WHEATON
A Gardner Denver Company

Whilst the content of this leaflet has been edited with the greatest care, we are not liable for any errors or omissions

EMCO WHEATON
USA Inc

9111 Jackrabbit Road
Houston Texas
USA
77095
PO BOX 691247
Phone: +1-281/856-1300
Fax: +1-281/856-1325
sales@us.emcowheaton.com
www.emcowheaton.com