

on D2000 World Series swivel joints.

- Recommended for servicing both sides of the platform and for adjacent arm crossover.
- Secondary arm is available as a rigid pipe or hose.
- Standard vertical range of motion for the loading arm is 55° (park position) to - 20° (load position). Maximum vertical range of movement up to 95° with spring cylinders.
- Standard arms feature the D2000 World Series swivel joints for ultra low maintenance & the easy to adjust spring cylinder balance.
- Pipe Size: 2" through 12"
- Materials: Carbon Steel  
Carbon Steel/Aluminum  
Stainless Steel

**RISER CONNECTION OPTIONS**

Loading Arms Shown in the Park Position



UPFEED



DOWNFEED

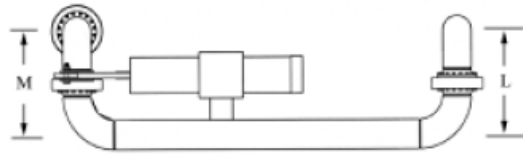
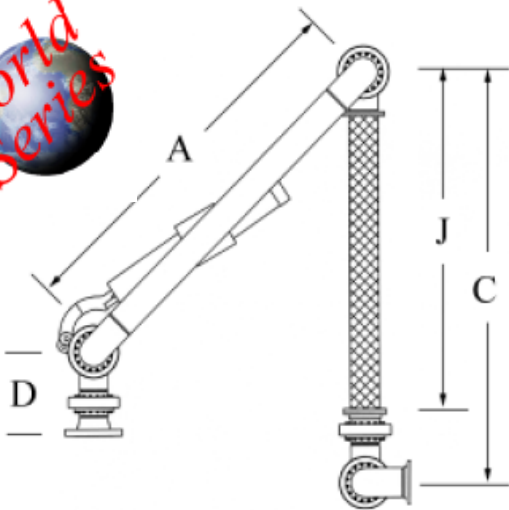


HORIZONTAL UPFEED



HORIZONTAL DOWNFEED





	"D"	"M"	"L"
2"	9.99"	10.11"	10.11"
3"	11.86"	13.11"	13.11"
4"	14.11"	16.11"	16.11"
6"	--	--	--

**Line Size:**  
 2"  3"  4"  6" Other Please Specify \_\_\_\_\_

**Riser Connection:**  
 Upfeed  Downfeed  Horizontal (Up or Down)

**Base Swivel:**  
 Right Hand/Upfeed  Right Hand/Downfeed  
 Left Hand/Upfeed  Left Hand/Downfeed

**Preferred Swivel Joint:**  
 D2000 Other Please Specify: \_\_\_\_\_

**Arm Material (Wetted Parts):**  
 Carbon Steel  Stainless Steel  
 Carbon Steel/Aluminum  Stainless/Aluminum

**Swivel Joint Seal Material:**  
 Buna  Viton  PTFE Other Please Specify: \_\_\_\_\_

**Balance Mechanism:**  
 Spring Cylinder  Torsion Spring  
 Counterweights  Hydraulic Cylinder

**Dimensions:**  
 A  J  C

**Customer Added Weight:**  
 (Specify type and weight) \_\_\_\_\_  
 \_\_\_\_\_  
 \_\_\_\_\_

**Accessories/Options:**  
 J0451 Coupler  K2 Coupler  
 K2P Coupler  Position Indicators

**Application Information:**  
 End User: \_\_\_\_\_  
 Product in Arm: \_\_\_\_\_  
 Temperature (min/max): \_\_\_\_\_  
 Flowrate (GPM): \_\_\_\_\_  
 Qty of Arms: \_\_\_\_\_  
 Your Name: \_\_\_\_\_  
 Company: \_\_\_\_\_  
 Phone Number: \_\_\_\_\_  
 Fax Number: \_\_\_\_\_

**EMCO WHEATON**  
 A Gardner Denver Company

*Whilst the content of this leaflet has been edited with the greatest care, we are not liable for any errors or omissions*

EMCO WHEATON  
 USA Inc

9111 Jackrabbit Road  
 Houston Texas  
 USA  
 77095

PO BOX 691247  
 Phone: +1-281/856-1300  
 Fax: +1-281/856-1325  
[sales@us.emcowheaton.com](mailto:sales@us.emcowheaton.com)  
[www.emcowheaton.com](http://www.emcowheaton.com)