

3A SANITARY SERIES PRECISION TURBINE FLOWMETERS



- Beverage / Food / Pharmaceutical Grade Applications
- High Accuracy
- Built to Wisconsin Dairy Standards
- Horizontal or Vertical Mounting
- Clean in place with low pressure steam
- Manufactured in the USA

The Sponsler 3A Sanitary Precision Turbine Flowmeters

are constructed of 300 Series Stainless Steel material and electro-polished to eliminate any cracks or crevices. The Sponsler 3A Sanitary series Precision Flowmeter range in size from 3/4" to 4" and can be installed either horizontally or vertically with a variety of optional endfittings to meet your needs. With a +/- 0.5% standard linearity and a repeatability of

+/- 0.1% over a nominal flow range, the Sponsler 3A Sanitary series Precision Flowmeter is built for dairy applications to the standards of the Wisconsin Dairy Association with food grade, crevice-free Teflon or Carbide sleeve bearings. Our 3A Sanitary series Precision Flowmeter can handle flow rates of 1.5 to 1250 GPM in twelve overlapping ranges, temperature ranges from -100° F to + 450° F (-100° F to 750° F with hi-temp coil), and can be cleaned without removal

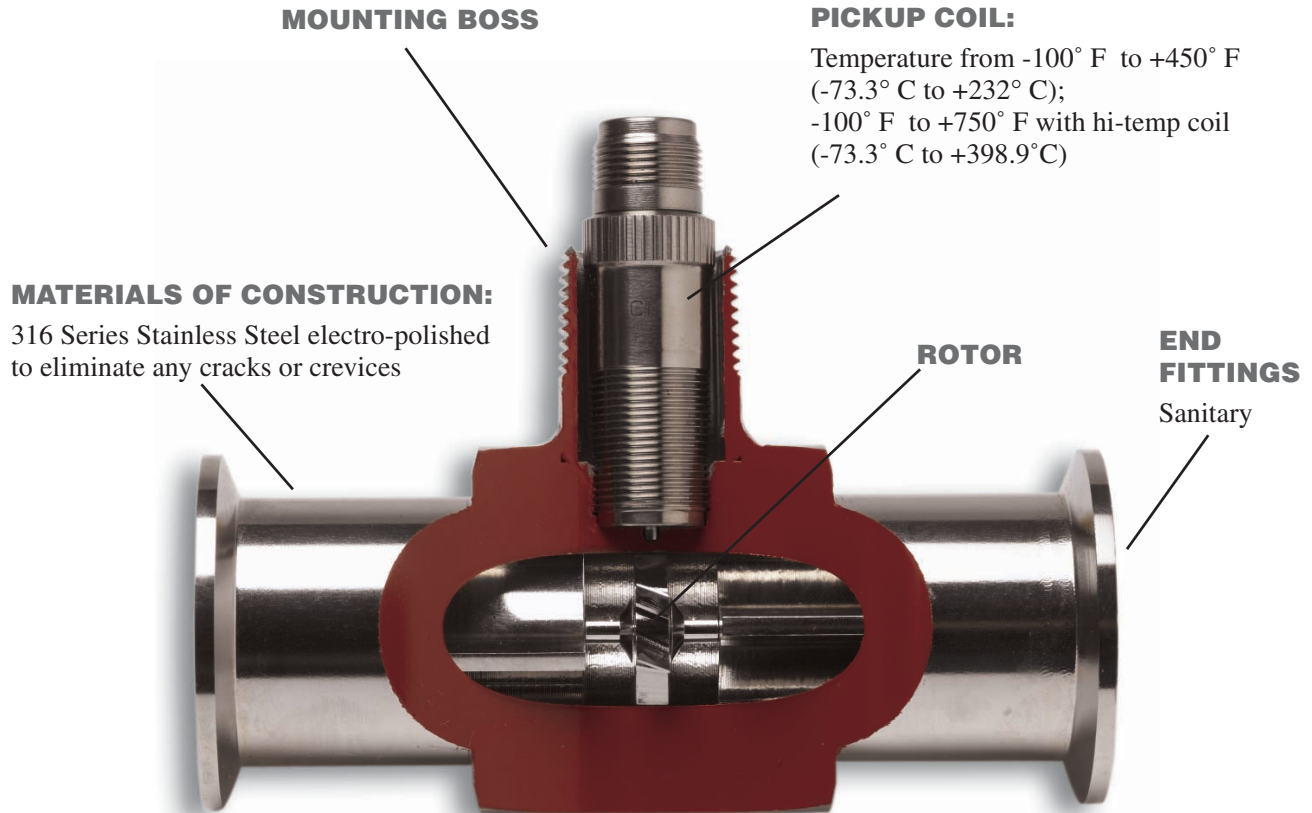
using low-pressure steam. We are so proud of the construction and manufacturing of our 3A Sanitary Precision Turbine Flowmeter, we put our 3A certification on the meter as a reminder of the high standard of quality our meters must surpass everyday. We know you would only trust your beverage, food, and pharmaceutical grade applications to a flowmeter that said 3A because you know the importance of accurate, reliable sanitary measurement.

FLOW RANGE

Nominal Meter Size	FLOW RANGE				METER FACTOR "K" PULSES US Gallons	STANDARD ENDFITTING	OPTIONAL ENDFITTING
	MIN REPEAT	NOMINAL MIN LINEAR	NOMINAL MAX LINEAR	EXTENDED MAX			
3/4"	1.5 / 5.68	2.5 / 9.46	29 / 109.78	30 / 113.56	1035	1 1/2"	2"
1"	2 / 7.57	4 / 15.14	60 / 227.12	75 / 283.91	500	1 1/2"	2"
1 1/4"	3 / 11.36	6 / 22.71	93 / 352.04	115 / 435.32	322	1 1/2"	2"
1 1/2"	5 / 18.93	8 / 30.28	130 / 492.10	175 / 662.45	230	1 1/2"	2"
2"	11 / 41.64	15 / 56.78	225 / 851.72	275 / 1040.99	133	2"	2 1/2"
2 1/2"	15 / 56.78	25 / 94.64	400 / 1514.17	500 / 1892.71	75	2 1/2"	3"
3"	30 / 114	40 / 151	650 / 2461	800 / 3028	46.1	3"	NONE
4"	50 / 189	75 / 284	1250 / 4732	1500 / 5678	20.7	4"	NONE

NOTE: Consult factory for non-3A Sanitary flowmeters below 3/4".

SPONSLER 3A SANITARY SERIES FLOWMETERS



SPECIFICATIONS

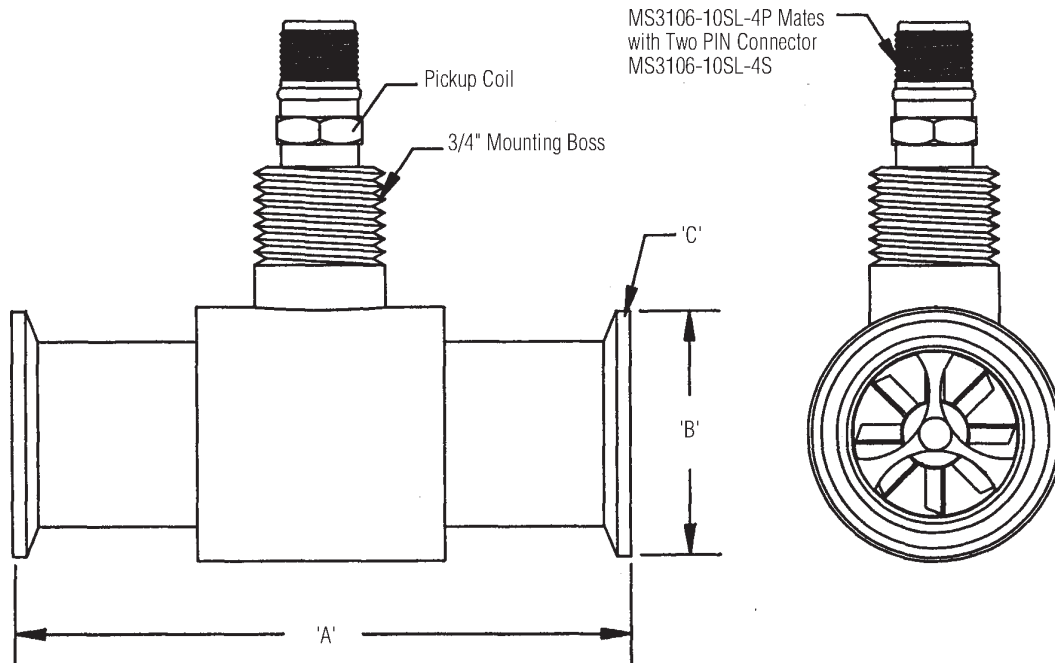
- **Linearity:** +/- 0.5% standard +/- 0.25% optional
- **Repeatability:** +/- 0.1% or better over nominal rated flow range
- **Temperature:** -100°F to +450°F; -100°F to 750°F with high temp coil
- **Materials:** Standard Precision Sanitary Flowmeters are constructed of 300 Series stainless steel. (Other materials are available to satisfy most applications, consult factory)
- **Electrical Output:** A minimum of 30 mV pp at the bottom of the nominal flow range.
- **Pressure Drop:** 4 psi at max nominal rated flow range.
- **Calibration:** Furnished with standard 10 point water calibration. (Special calibrations available)
- **Flow Ranges:** From 1.5 to 1250 GPM.

FEATURES

- Special food grade Teflon or Carbide sleeve bearings standard
- Clean in place with low pressure steam
- Built to Wisconsin Dairy Association Standards
- Can be installed vertically or horizontally
- Optional Endfittings
- Sizes ³/₄" to 4" inches – custom and standard designs
- Manufactured in the USA

INSTALLATION DIMENSIONS

SIZE	Dimensions (Inches / cm)		End Connections
	A	B	C
3/4"	5 / 12.7	1.984 / 5.039	1 1/2"
1"	5 / 12.7	1.984 / 5.039	1 1/2"
1 1/4"	5 / 12.7	1.984 / 5.039	1 1/2"
1 1/2"	5 / 12.7	1.984 / 5.039	1 1/2"
2"	6 / 15.24	2.516 / 6.39	2"
2 1/2"	7.5 / 19.05	3.047 / 7.74	2 1/2"
3"	9.5 / 24.13	3.579 / 9.09	3"



MODEL SELECTION GUIDE

SP _____ - _____ - _____ - _____ - G - _____ - X - _____ Meter Size Bearing Rotor Endfitting Material Options <small>(See Sizing Chart)</small> <small>*Omit if same as meter size</small> X = Mounting Boss			
BEARING SELECTIONS	ROTOR SELECTIONS	MATERIAL	OPTIONS
CB = Cryogenic Ball MB = Metal Ball TS = Teflon Sleeve* GS = Graphitar Sleeve CS = Carbide Sleeve* PK = Peak Sleeve * 3A specific	PHL = 17-4 PH Liquid	4 = 304 S.S. 4L = 304L S.S. 6 = 316 S.S. 6L = 316L S.S.	FB = RF - 10 Coil HT = HI Temp Coil (SC28 - 14G)
Line size and meter size should be the same. If not an adapter is required.			

LT5006 06/04